

REPLACEMENT PARTS

Supersedes: Nothing

e | 530.18-RP6.4YI (596)

NOTE: NO STYLE "A", "B", "C", "D". FOR STYLE "F" MODEL SEE PAGE 6.

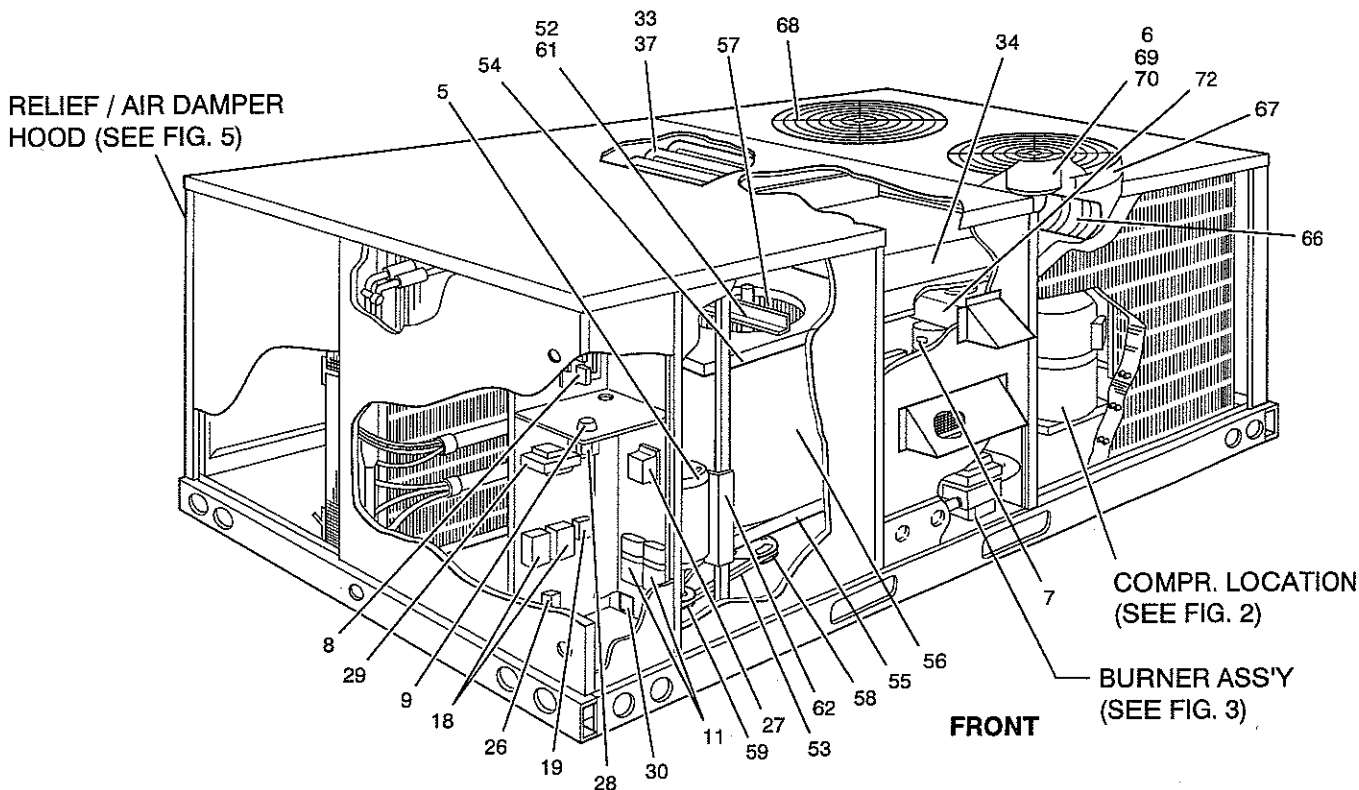


FIG. 1 – SINGLE PACKAGE GAS / ELECTRIC UNIT

COMPRESSORS

FIG	ITEM	DESCRIPTION	D3CG090N13050E
			4-BURNER
2	(1)	COMPR. HERMETIC (BRISTOL) (2-REQ'D)	015-02577-701
	2	SPACE FOR FUTURE PARTS ADDITIONS	
	3	SPACE FOR FUTURE PARTS ADDITIONS	
2	4A	ISOLATOR, COMPR. (8-REQ'D TOP)	028-11969-000
2	4B	ISOLATOR, COMPR. (8-REQ'D BOTTOM)	028-12357-000
2	4C	SPRING, MTG. COMPR. (8-REQ'D)	029-20421-000
2	4D	SCREW, 5/16-18 HEX WASHER HD. W/SLEEVE	021-17181-700

MOTORS

1	(5)	MOTOR, BLOWER (1.5 HP)	024-19623-721
1	(6)	MOTOR, FAN (2-REQ'D)	024-25334-700
1	(7)	MOTOR, VENTOR (1)	024-24115-004

ELECTRICAL

1	8	BOARD, CIRCUIT	031-00652-700
1	9	BREAKER, CIRCUIT	[CB] 024-24055-000
*	10	BOOT, RUBBER CAPACITOR	028-04133-000
1	(11)	CAPACITOR, RUN (7.5MFD/370V)	[1,2RC] 024-20045-700
*	12	CONNECTOR, CAP (3-CIRCUIT)	025-21193-000

* NOT SHOWN

(1) INCLUDES CENTRIFUGAL SWITCH.

Major components and suggested stocking items are shown with item number in parenthesis "()".

ELECTRICAL (Cont.)

FIG	ITEM	DESCRIPTION	D3CG090N13050E
			4-BURNER
*	13	CONNECTOR, CAP (6-CIRCUIT)	025-20963-000
*	14	CONNECTOR, CAP (9-CIRCUIT)	025-21191-000
*	15	CONNECTOR, PLUG (3-CIRCUIT)	025-19671-000
*	16	CONNECTOR, PLUG (6-CIRCUIT)	025-19670-000
*	17	CONNECTOR, PLUG (9-CIRCUIT)	025-21192-000
1	(18)	CONTACTOR (2-REQ'D)	[1,2M] 024-18056-702
1	(19)	CONTACTOR	[3M] 024-25838-700
*	20	CONTACT, SOCKET (3)	025-25586-000
*	21	CONTACT, SOCKET (4)	025-19673-000
*	(22)	CONTROL, PRESSURE	[HP] 025-17620-725
*	(22A)	CONTROL, LOW PRESSURE	[LP] 025-30249-700
*	(23)	CONTROL, TEMPERATURE (2)	[FS1&2] 025-27727-001
*	24	HOUSING, SINGLE LEAF (16-CIRCUIT)	025-26364-000
*	25	LABEL, WIRING (REFERENCE)	035-12483-000
1	26	LUG, GROUND	025-18094-000
1	(27)	RELAY, CONTROL	[DMR] 024-21678-700
1	(28)	RELAY, CONTROL (HEAT SEQUENCE)	[TDR] 024-19082-738
1	(29)	TRANSFORMER	[1T] 025-30728-700
1	30	TERMINAL BLOCK	025-30727-000
	31	SPACE FOR FUTURE PARTS ADDITIONS	

GAS HEAT SECTION

*	32	BAFFLE, AIR (PLATE)	063-92588-000
1	33	BAFFLE, AIR (HEAT EXCH. TUBE) 1 PER TUBE	063-90071-000
1	34	BOX, FLUE (TOP & FRONT)	063-89949-000
3	35	BURNER, GAS (4-REQ'D)	029-18431-000
3	36	CROSSOVER, GAS	073-07782-003
1	37	HEAT EXCHANGER	363-90016-001
3	38	MANIFOLD, GAS	029-20073-000
*	39	SUPPORT, BURNER (FRONT ANGLE BRACE)	063-92490-000
3	40	SUPPORT, BURNER (L/H SIDE & REAR)	073-07781-703
3	41	SUPPORT, BURNER (R/H SIDE)	063-92594-000
3	42	ORIFICE, GAS BURNER #32 (4-REQ'D)	029-20423-032
3	43	ORIFICE, GAS PILOT #60	029-20422-060
	44	SPACE FOR FUTURE PARTS ADDITIONS	

GAS/ELECT. CONTROLS

*	45	CONTROL, TEMPERATURE (LIMIT)	025-26366-003
*	46	CONTROL, TEMPERATURE (ROLLOUT)	025-26392-003
*	(47)	MODULE, IGNITION CONTROL	[IC] 025-29012-000
3	(48)	IGNITOR, SPARK	025-26361-000
3	(49)	SENSOR, FLAME	025-30.801-000
3	(50)	VALVE, GAS (WHITE RODGERS)	025-26373-000
	51	SPACE FOR FUTURE PARTS ADDITIONS	

AIR MOVING (BLOWER)

1	52	BEARING, BALL (PILLOW BLOCK) (2-REQ'D)	029-20424-700
1	53	BELT, "V" (A49)	028-07670-000
1	54	PLATE, HOUSING (TOP)	063-89996-000
1	55	PLATE, HOUSING (BOTTOM)	063-89997-000

* NOT SHOWN

(2) USE HEAT CONDUCTIVE COMPOUND 013-02250-000 WHEN APPLYING CONTROL TO SUCTION LINE.

(3) USE HAND TOOL #044-02998-700 WHEN APPLYING CONTACT.

(4) USE HAND TOOL #044-02999-700 WHEN APPLYING CONTACT.

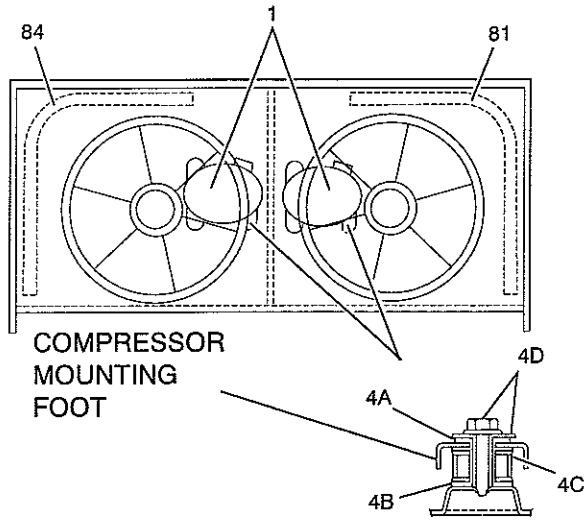


FIG. 2 – COMPRESSOR & COIL SECTION

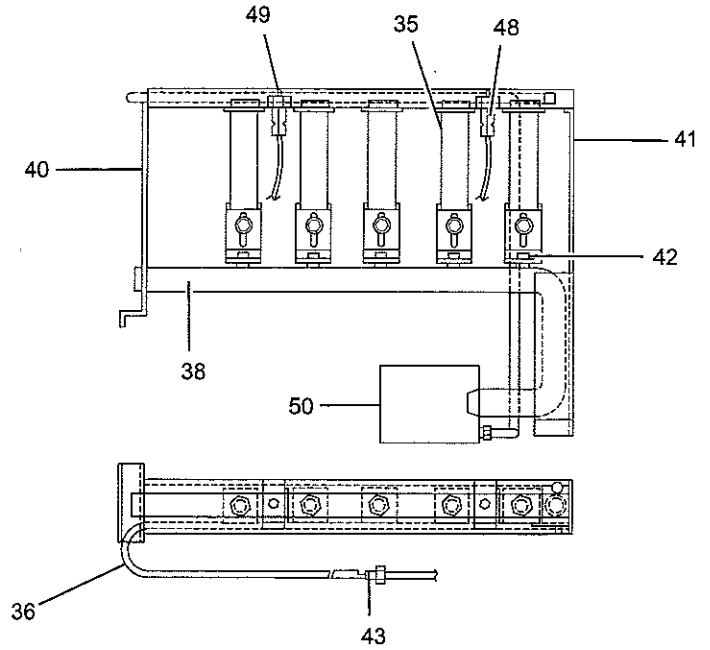


FIG. 3 – BURNER ASS'Y

AIR MOVING (BLOWER) (Cont.)

FIG	ITEM	DESCRIPTION	D3CG090N13050E
			4-BURNER
1	56	HOUSING, BLOWER W/O WHEEL	063-89954-000
1	57	WHEEL, BLOWER	026-25529-001
1	58	PULLEY, FIXED (BLOWER)	028-09985-700
1	59	PULLEY, VARIABLE (MOTOR)	028-04807-700
*	60	SHAFT, BLOWER	001-07115-000
1	61	SUPPORT, BEARING (2-REQ'D)	063-89950-000
1	62	SUPPORT, MOTOR	063-89938-000
*	63	KEY, STEEL 1/4 SQ X 2" LG (FIXED PULLEY)	001-07110-005
*	64	KEY, STEEL 1/4 SQ X 6-3/8" LG (WHEEL)	001-07110-004
	65	SPACE FOR FUTURE PARTS ADDITIONS	

AIR MOVING (COND. FAN)

1	(66)	BLADE, FAN (2-REQ'D)	026-32169-000
1	67	ORIFICE, FAN (2-REQ'D)	063-89756-000
1	68	GUARD, FAN (2-REQ'D)	026-25528-000
1	69	NUTS, ACORN (MOTOR MTG.) (BAG OF 4)	363-90117-000
1	70	PLUG, ELECTRICAL HARNESS (2-REQ'D)	025-26387-003
*	71	CHANNEL, WIRE GUARD (2-REQ'D)	063-93734-000

AIR MOVING (VENTOR)

1	72	HOUSING, VENTOR (W / O WHEEL)	063-90041-000
*	73	PLATE, VENTOR ORIFICE	063-90038-010
*	74	PLATE, VENTOR HOUSING	063-90037-000
4	75	SPACER, VENTOR MOTOR (4-REQ'D)	063-92626-000
*	76	WHEEL, VENTOR BLOWER	026-25530-001
*	77	VARISTOR (VENTOR MOTOR PROTECTOR)	025-30145-000

* NOT SHOWN

REFRIGERANT

FIG	ITEM	DESCRIPTION	D3CG090N13050E
			4-BURNER
*	78	CAP, FLARE	023-11018-000
*	79	CORE, VALVE	022-02475-000
*	80	STEM, VALVE (1/4 OD TUBE)	022-08017-000
2	81	COIL, COND. (FRONT FORMED, SYSTEM 1) (5)	363-94983-700
*	82	HEADER, LIQUID (SYS. 1)	363-94983-020
*	83	HEADER, DISCHARGE (SYS. 1)	363-94983-030
2	84	COIL, COND. (REAR FORMED, SYSTEM 2) (5)	363-94984-700
*	85	HEADER, LIQUID (SYS. 2)	363-94984-020
*	86	HEADER, DISCHARGE (SYS. 2)	363-94984-030
4	87	COIL, EVAPORATOR (SYSTEM 1 & 2) (6)	373-03331-702
*	88	HEADER, SUCTION (SYS. 1)	373-03331-030
*	89	HEADER, SUCTION (SYS. 2)	373-03331-040
4	90	VALVE, DISTR. (6-TUBES) (EVAP.) (2-REQ'D) (7)	022-06844-045
4	91	STRAINER, DRIER (2-REQ'D)	029-17738-000
92		SPACE FOR FUTURE PARTS ADDITIONS	
93		SPACE FOR FUTURE PARTS ADDITIONS	

**FABRICATED
PARTS**

*	94	BRACKET, FILTER (TOP OR BOTTOM)	029-20069-000
*	95	BRACKET, FILTER (MIDDLE)	029-20070-000
*	96	COVER, DUCT (SUPPLY AIR)	363-90060-001
4	97	COVER, DUCT (OUTSIDE AIR)	363-90060-002
*	98	COVER, DUCT (RETURN AIR)	363-90060-003
*	99	COVER, DUCT (BASE HEAT SECT.)	363-89934-000
*	100	COVER, DUCT (BASE, EVAP.)	363-89941-000
4	101	HOOD, AIR INLET (W / O SCREEN)	063-75440-000
4	102	SCREEN, AIR INLET	026-31402-000
4	103	HOOD, FLUE OUTLET (W / SCREEN)	363-93855-000
4	104	PAN, DRAIN	363-93501-000
4	105	PANEL, CORNER (LEFT FRONT)	363-90055-000
4	106	PANEL, ACCESS (BLOWER)	363-89927-001
4	107	PANEL, ACCESS (CONTROL BOX)	363-92522-000
4	108	PANEL, ACCESS (GAS TOP)	063-89966-001
4	109	PANEL, ACCESS (GAS BOTTOM)	063-89985-000
4	110	PANEL, DUCT (REAR)	363-90051-001
4	111	PANEL, ACCESS (FILTERS)	363-89927-001
4	112	PANEL, ACCESS (COMPRESSOR)	063-90024-000
4	113	PANEL, TOP (CONDENSER)	063-90013-000
4	114	PANEL, TOP (EVAPORATOR)	363-94624-000
*	115	PANEL, VESTIBULE (FRONT)	373-03205-000
*	116	PANEL, VESTIBULE (TOP)	063-90047-000
*	117	PANEL, VESTIBULE (BOTTOM)	373-03206-000
4	118	POST (BLOWER SUPPORT)	063-92560-001
4	119	POST (INTERMEDIATE)	063-89953-001
4	120	POST (LEFT PARTITION SUPPORT)	063-89973-001
4	121	POST (RIGHT PARTITION SUPPORT)	063-89987-001
4	122	POST, CORNER (RIGHT FRONT)	063-89994-001
4	123	POST, CORNER (RIGHT REAR)	063-89995-001
4	124	RAIL, BASE (FRONT)	063-90014-000
4	125	RAIL, BASE (REAR)	063-90015-000
4	126	RAIL, BASE (COND. END)	063-90011-000
4	127	RAIL, BASE (EVAP. END)	063-94720-000

* NOT SHOWN

(5) INCLUDES HEADERS.

(6) INCLUDES HEADERS & DISTRIBUTORS.

(7) CONTAINS BODY, ORIFICE, DISTRIBUTOR TUBES, & SLEEVING.

New replacement parts shown in **bold face** type at the first printing of parts List code dated 5/96.

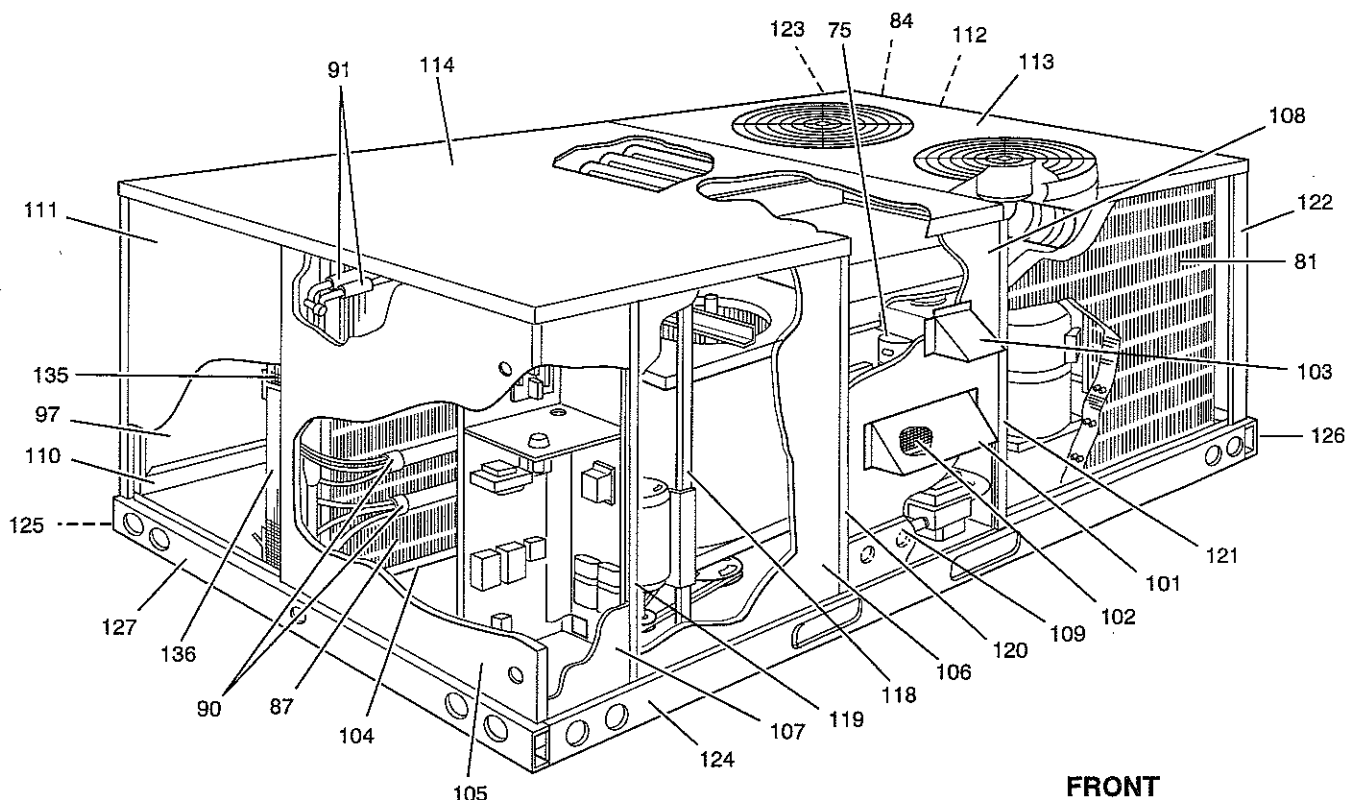


FIG. 4 - SINGLE PACKAGE GAS / ELECTRIC UNIT

RELIEF/FIXED AIR DAMPER HOOD

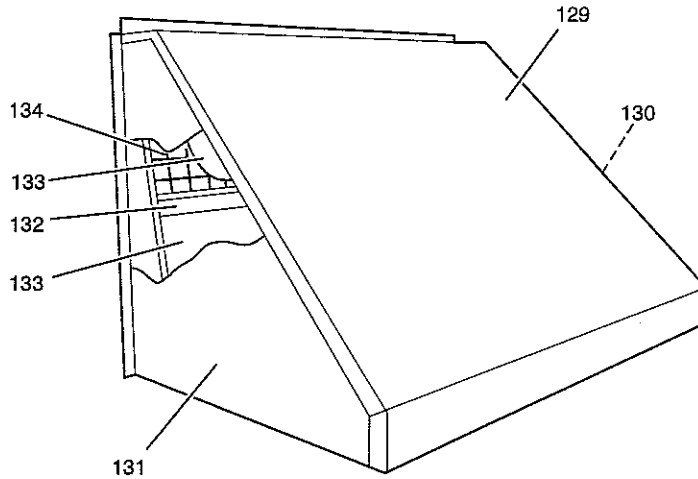
FIG	ITEM	DESCRIPTION	D3CG090N13050E
			4-BURNER
5	128	ASSEMBLY, COMPLETE HOOD	363-89962-000
5	129	PANEL, TOP	063-87680-000
5	130	PANEL, RIGHT SIDE	063-87659-000
5	131	PANEL, LEFT SIDE	063-87686-000
5	132	SUPPORT, BLADE	063-89961-000
5	133	BLADE, DAMPER	029-20071-000
5	134	WIRE, CLOTH (1 X 2 MESH)	026-31400-000

MISC.

4	135	FILTER, AIR (2-REQ'D)	12 x 24 x 2
4	136	FILTER, AIR (2-REQ'D)	16 x 24 x 2
*	137	GROMMET, PVC RED (1.062 HOLE)	028-07039-000
*	138	BUSHING (8)	025-26385-000
*	139	ELBOW, 90 DEG. (8)	023-13649-000

* NOT SHOWN

(8) ELBOW 023-13649-000 IS HELD IN PLACE ON DRAIN PAN WITH BUSHING 025-26385-000.



**FIG. 5 – RELIEF / FIXED AIR DAMPER HOOD ASSEMBLY
(ITEM 128)**

NOTE: **STYLE "F"** MODELS ARE THE SAME AS **STYLE "E"** EXCEPT FOR THE FOLLOWING PARTS:

FIG	ITEM	DESCRIPTION	D3CG090N13050F
1	(7)	MOTOR, VENTOR	024-24115-016
*	45	CONTROL, TEMP. (LIMIT)	025-26366-008
*	46	SWITCH, LIMIT (ROLLOUT)	025-26392-010
*	25	LABEL, WIRING (REFERENCE)	035-13392-000
*	(47)	MODULE, IGNITION CONTROL	[IC] 025-29012-001
1	(27)	RELAY, CONTROL	[DMR] 024-25910-700
1	(28)	RELAY, CONTROL (HEAT SEQUENCE)	[TDR] 024-19082-740
*	77	VARISTOR	OMIT
*	10	BOOT, RUBBER CAPACITOR	OMIT
4	124	RAIL, BASE (FRONT)	063-90014-001
4	125	RAIL, BASE (REAR)	063-90015-001
4	126	RAIL, BASE (COND. END)	063-90011-001

* NOT SHOWN

New replacement parts shown in **bold face** type at the first printing of parts List code dated 5/96.

FOR FACTORY OR FIELD INSTALLED ACCESSORIES SEE THE FOLLOWING PARTS LIST:

ACCESSORIES - ELECTRICAL

DESCRIPTION	MODEL NO.	USED WITH
ANTI-RECYCLE TIMER	2AC04700424	- - -
LOW AMBIENT TO 0 DEG. F (460V & 575V)	2LA04700846	- - -
MOTORIZED OUTDOOR AIR DAMPER	2MD04700224	- - -
ELECT. ENTHALPY ECONO./SINGLE INPUT	2EE04700324	- - -
ELECT. ENTHALPY ECONO./DUAL INPUT	2EE04700424	- - -
COND. FAN MOTOR (460V & 575V)	2CM04600551	- - -

ACCESSORIES - NON-ELECTRICAL

DESCRIPTION	MODEL NO.
RELIEF/FIXED AIR DAMPER	1RF0401
PROPANE CONVERSION KIT	1NP0421
HIGH ALTITUDE - NATURAL GAS	1HA0412
HIGH ALTITUDE - PROPANE	1HA0413

NOTES



Heating and Air Conditioning



Proud Sponsor
of the 1996
U.S. Olympic Team
3EUSC85